

Standards For Safety : Close Top Diked(contained)

1. UL 142 : Steel Above Ground Tanks for Flamable and Combustible Liquids
2. CAN/ULC-S601 : Shop Fabricated Steel Above Ground Tanks for Flamable and combustibile Liquids



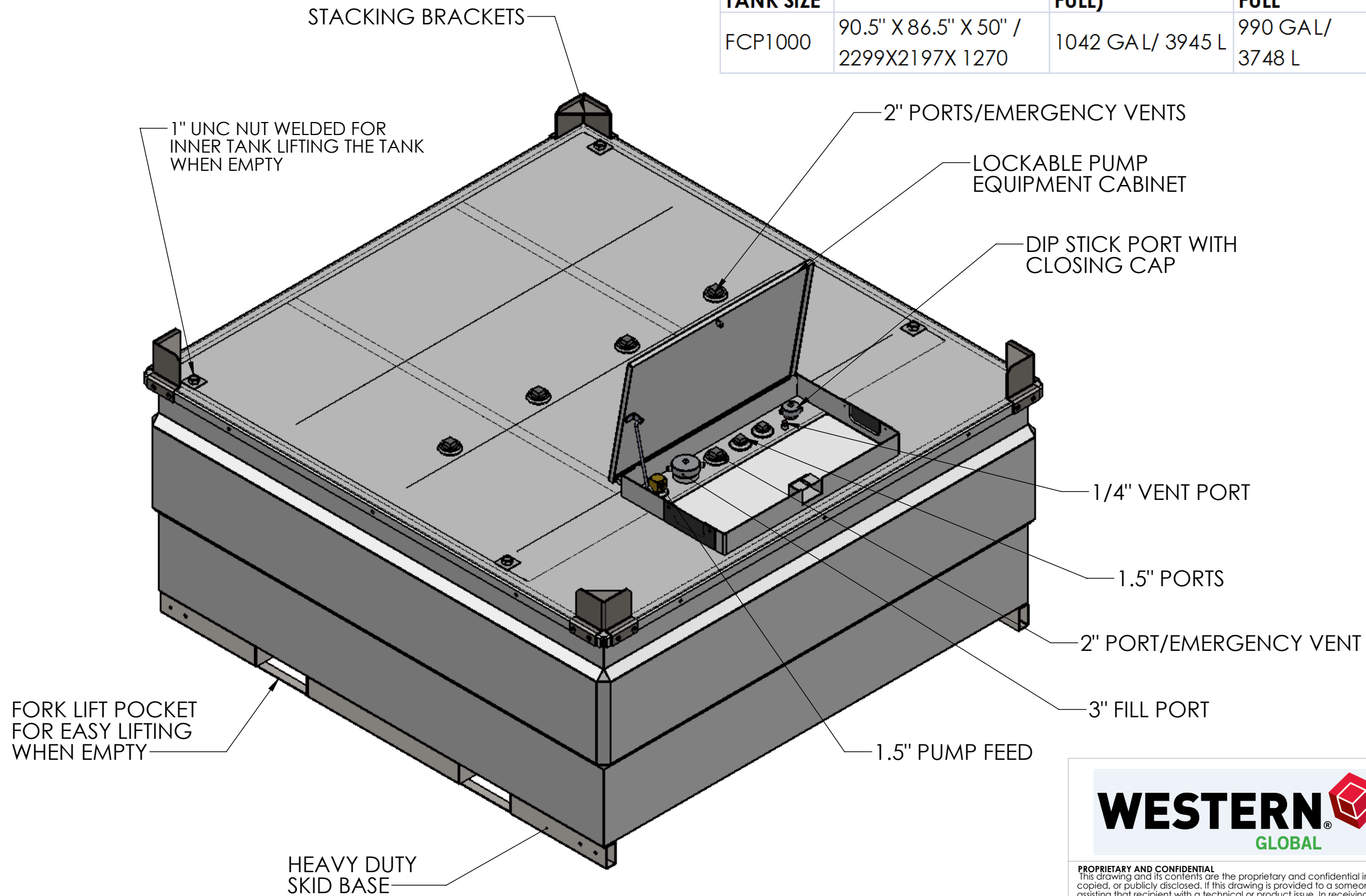
Western Global

290 Quarry Road, Milford CT. 06460
 PH. 203-847-4300 Fax 203-847-4310
 www.western-global.us.com

PROPRIETARY AND CONFIDENTIAL
 This drawing and its contents are the proprietary and confidential information of Western International, Inc., and are not to be reproduced, copied, or publicly disclosed. If this drawing is provided to a someone outside Western International, it is done so for the limited purpose of assisting that recipient with a technical or product issue. In receiving this drawing, the recipient agrees to maintain it in confidence and not to use it beyond the purpose previously stated. Recipient agrees not to reproduce, copy, or publicly disclose this drawing and its contents.

UNLESS OTHERWISE SPECIFIED: DO NOT APPLY TO BASIC DIMS. TOLERANCES (INCHES): ONE DECIMAL ±.1" TWO PLACE DECIMAL ±.06" THREE PLACE DECIMAL ±.030"		TITLE: FCP 1000 - SALES DRAWING		
TOLERANCES (METRIC): ONE DECIMAL ±.5 TWO PLACE DECIMAL ±.05 ANGULAR: BEND ±1°		MATERIAL: SEE INDIVIDUAL PARTS	SIZE: B	DWG. NO.: FCP-1000
DO NOT SCALE DRAWING		DRAWN BY: JIGNESH	DATE: 1/1/2013	SCALE: 1:24 SHEET 1 OF 3

NOMINAL TANK SIZE	SIZE(LXWXH)	CAPACITY(BRIM FULL)	SAFE FILL 95% FULL	WEIGHT EMPTY	WEIGHT FULL
FCP1000	90.5" X 86.5" X 50" / 2299X2197X 1270	1042 GAL/ 3945 L	990 GAL/ 3748 L	2388 lb/ 1083 Kg	9433 lb/ 4287kg



Western Global

290 Quarry Road, Milford CT. 06460
 PH. 203-847-4300 Fax 203-847-4310
 www.western-global.us.com

PROPRIETARY AND CONFIDENTIAL
 This drawing and its contents are the proprietary and confidential information of Western International, Inc., and are not to be reproduced, copied, or publicly disclosed. If this drawing is provided to a someone outside Western International, it is done so for the limited purpose of assisting that recipient with a technical or product issue. In receiving this drawing, the recipient agrees to maintain it in confidence and not to use it beyond the purpose previously stated. Recipient agrees not to reproduce, copy, or publicly disclose this drawing and its contents.

UNLESS OTHERWISE SPECIFIED: DO NOT APPLY TO BASIC DIMS. TOLERANCES (INCHES): ONE DECIMAL ±.1" TWO PLACE DECIMAL ±.06" THREE PLACE DECIMAL ±.030" TOLERANCES (METRIC): ONE DECIMAL ±.5 TWO PLACE DECIMAL ±.05 ANGULAR: BEND ±1°	TITLE: FCP 1000 - SALES DRAWING			
	MATERIAL: SEE INDIVIDUAL PARTS	SIZE: B	DWG. NO. FCP-1000	REV 1
DO NOT SCALE DRAWING	DRAWN BY: JIGNESH	DATE: 1/1/2013	SCALE: 1:25	SHEET 2 OF 3

FCP1000 DIPPING CHART

FILL HEIGHT		VOLUME		FILL HEIGHT		VOLUME	
(CM)	(LITRES)	(GALLONS)	(INCHES)	(LITRES)	(GALLONS)	(LITRES)	(GALLONS)
5	210.5	55.6	2	210.5	55.6		
10	421.1	111.2	4	421.1	111.2		
15	631.6	166.8	6	631.6	166.8		
20	842.1	222.5	8	842.1	222.5		
25	1052.3	278.0	10	1052.3	278.0		
30	1263.2	333.7	12	1263.2	333.7		
35	1473.7	389.3	14	1473.7	389.3		
40	1684.2	444.9	16	1684.2	444.9		
45	1894.8	500.6	18	1894.8	500.6		
50	2105.3	556.2	20	2105.3	556.2		
55	2315.5	611.7	22	2315.5	611.7		
60	2523.3	666.6	24	2523.3	666.6		
65	2727.4	720.5	26	2727.4	720.5		
70	2928.4	773.6	28	2928.4	773.6		
75	3125.8	825.8	30	3125.8	825.8		
80	3319.8	877.0	32	3319.8	877.0		
85	3510.6	927.4	34	3510.6	927.4		
Full	3768.4	995.5	Full	3768.4	995.5		



Western Global
 290 Quarry Road, Milford CT. 06460
 PH. 203-847-4300 Fax 203-847-4310
 www.western-global.us.com

PROPRIETARY AND CONFIDENTIAL
 This drawing and its contents are the proprietary and confidential information of Western International, Inc., and are not to be reproduced, copied, or publicly disclosed. If this drawing is provided to a someone outside Western International, it is done so for the limited purpose of assisting that recipient with a technical or product issue. In receiving this drawing, the recipient agrees to maintain it in confidence and not to use it beyond the purpose previously stated. Recipient agrees not to reproduce, copy, or publicly disclose this drawing and its contents.

UNLESS OTHERWISE SPECIFIED: DO NOT APPLY TO BASIC DIMS. TOLERANCES (INCHES): ONE DECIMAL ±.1" TWO PLACE DECIMAL ±.06" THREE PLACE DECIMAL ±.030" TOLERANCES (METRIC): ONE DECIMAL ±.5 TWO PLACE DECIMAL ±.05 ANGULAR: BEND ±1° DO NOT SCALE DRAWING	TITLE: <h2 style="text-align: center;">FCP 1000 - SALES DRAWING</h2>	MATERIAL: SEE INDIVIDUAL PARTS	SIZE: B	DWG. NO. FCP-1000	REV 1
	DRAWN BY: JIGNESH	DATE: 1/1/2013	SCALE: 1:25	SHEET 3 OF 3	